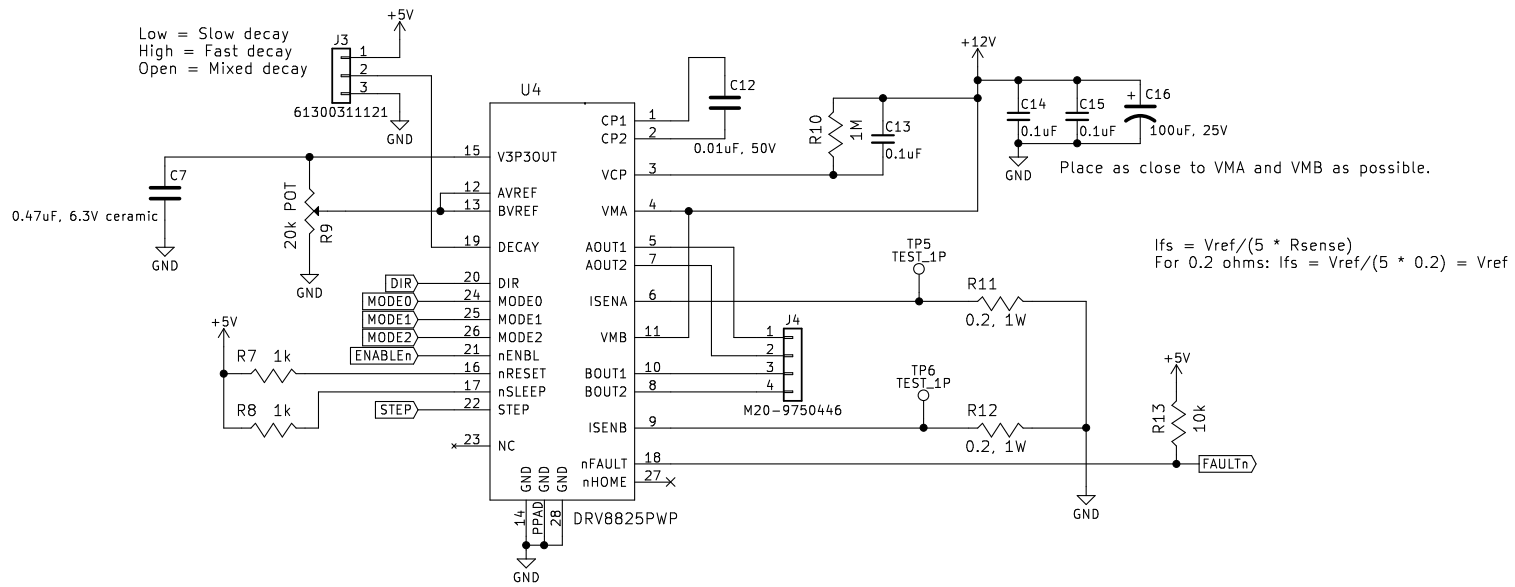
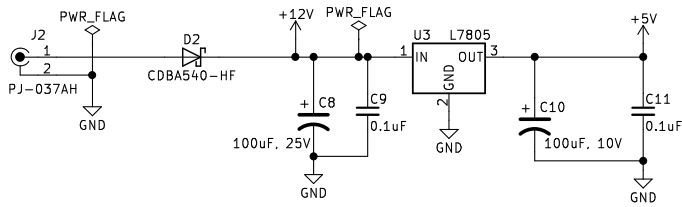


Sheet: PowerMotorDrive
 File: file5A929276.sch

Sheet: /	
File: WatchWinder.sch	
Title: Watch Winder	
Size: A	Date: 2018-03-07
KiCad E.D.A. kicad 4.0.7	Rev: 1.0
	Id: 1/2



Sheet: /PowerMotorDrive/
File: file5A929276.sch

Title: Watch Winder

Size: A4 Date: 2018-03-07
KiCad E.D.A. kicad 4.0.7

Rev: 1.0
Id: 2/2