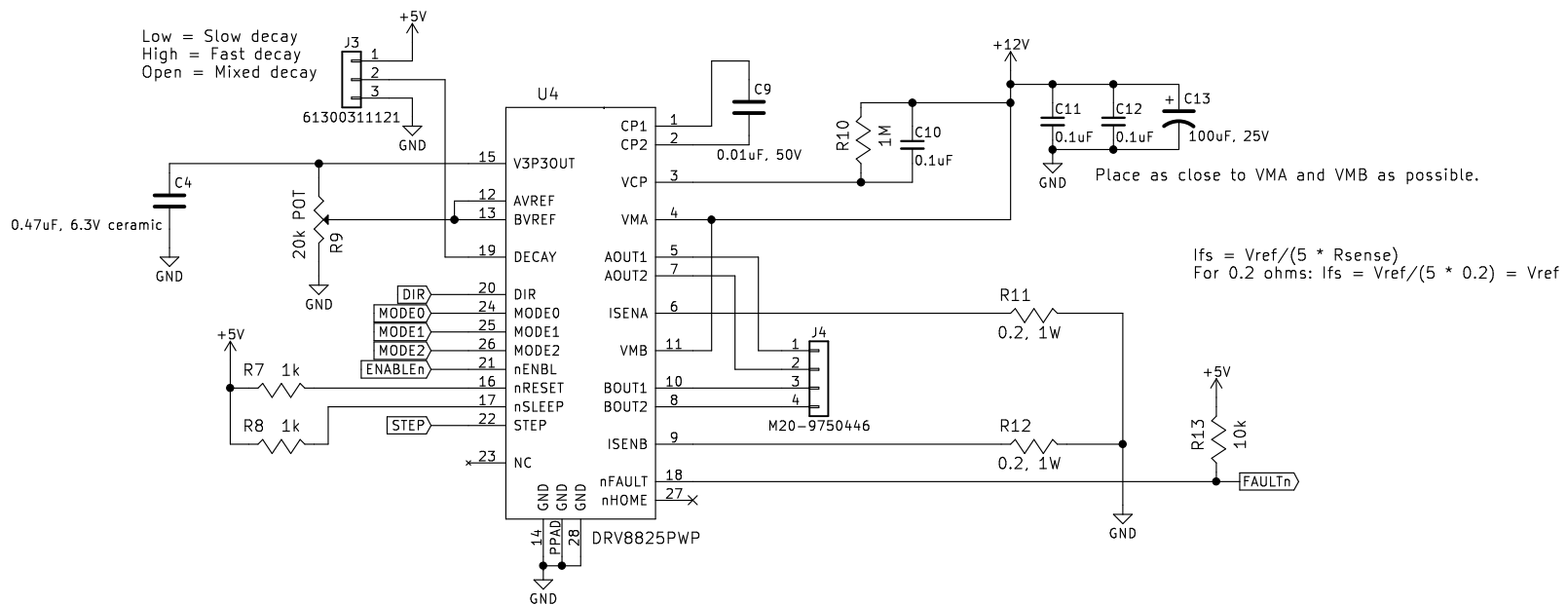
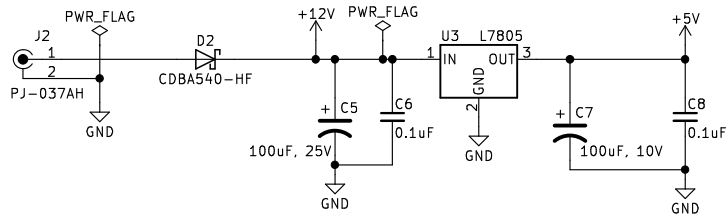


Sheet: PowerMotorDrive  
 File: file5A929276.sch

Sheet: /	
File: WatchWinder.sch	
<b>Title: Watch Winder</b>	
Size: A	Date: 2018-03-02
KiCad E.D.A. kicad 4.0.7	Rev: 1.0
	Id: 1/2



Sheet: /PowerMotorDrive/  
File: file5A929276.sch

**Title: Watch Winder**

Size: A4 Date: 2018-03-02

KiCad E.D.A. kicad 4.0.7

Rev: 1.0

Id: 2/2