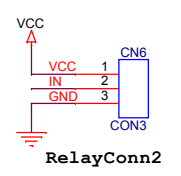
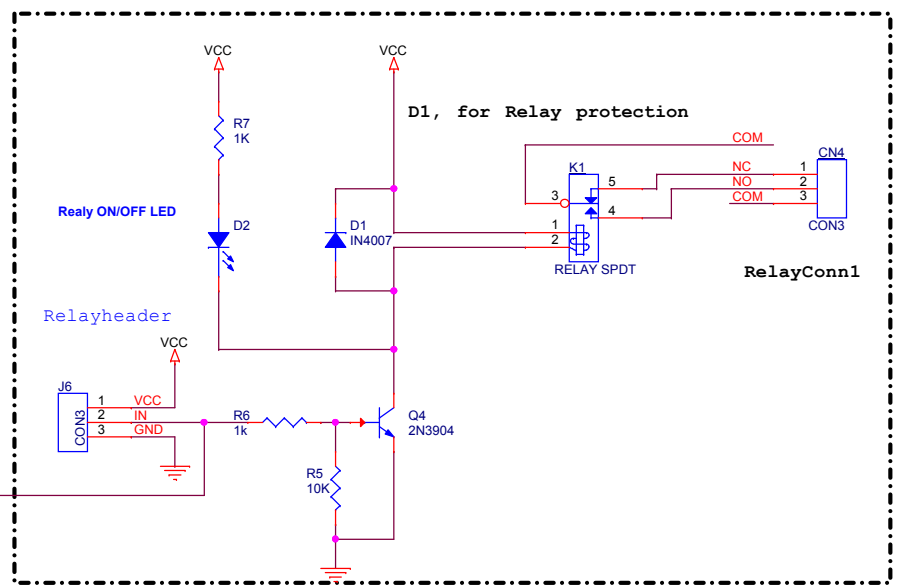


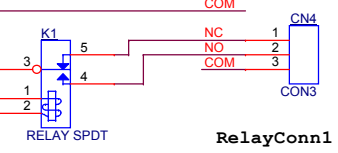
Atmega328P
base connector



RelayConn2



D1, for Relay protection



RelayConn1

Title		
<Title>		
Size	Document Number	Rev
B	<Doc>	<RevCode>
Date:	Tuesday, August 14, 2018	Sheet 1 of 1