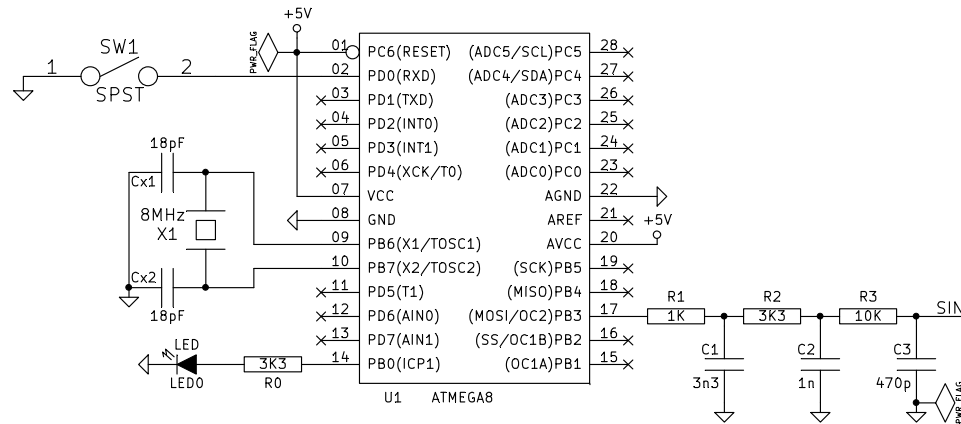


Existing SPI protocol with a break time of 1.5 SPI clock



KerimF to AVRfreaks		
File: SPIwave.sch		
Sheet: /		
Title: Test sinewave generator via SPI MOSI output, for 658 Hz and 17544 Hz		
Size: A4	Date: 25 mar 2020	Rev: 4
KiCad E.D.A. eeschema (2010-05-05 BZR 2356)-stable		Id: 1/1