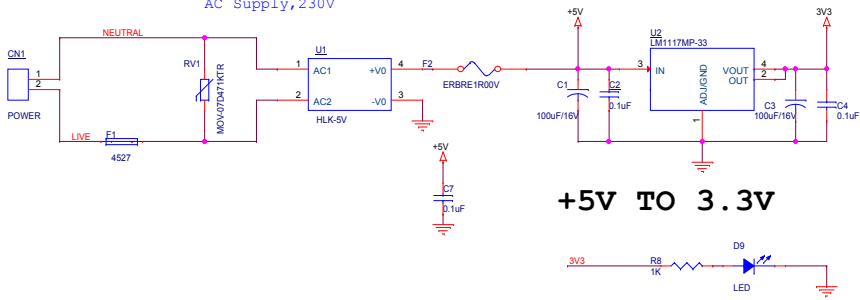
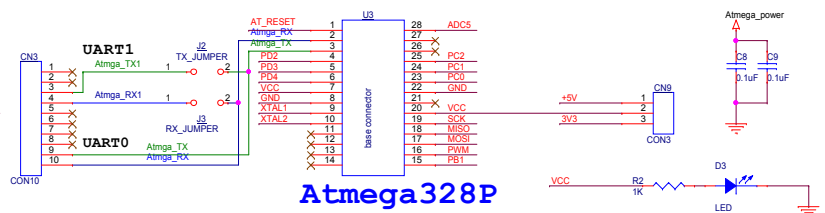
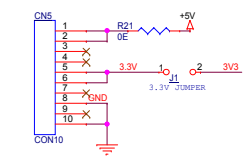


AC Supply, 230V



+5V TO 3.3V



Atmega328P

Table for TX and RX connections	
ATMEGA328P	LAN MODULE
Atmga_RX [PIN2:RXD]	CN3: PIN4 (TX) , 10 (TX)
Atmga_TX [PIN3:TXD]	CN3: PIN3 (RX) , PIN9 (RX)

