

## FEATURE ARTICLE

Jan Axelson

# Designing RS-485 Circuits

Jan knows that RS-485 is perfect for transferring small blocks of information over long distances, and she finds the RS-485 standard extremely flexible. Here, she shows us several circuits for RS-485 networks.



When a network needs to transfer small blocks of information over long distances, RS-485 is often the interface of choice.

The network nodes can be PCs, microcontrollers, or any devices capable of asynchronous serial communications. Compared to Ethernet and other network interfaces, RS-485's hardware and protocol requirements are simpler and cheaper.

The RS-485 standard is flexible enough to provide a choice of drivers, receivers, and other components depending on the cable length, data rate, number of nodes, and the need to conserve power.

Several vendors offer RS-485 transceivers with various combinations of features. Also, there are options for methods of terminating and biasing the line and controlling the driver-enable inputs.

In this article, I show you several circuits for RS-485 networks. Even if

you use prebuilt cards or converters, understanding the options will help you choose the right product and configure it to get the best results for your application.

### RS-485 IN BRIEF

But first, a quick look at RS-485. The interface popularly known as RS-485 is an electrical specification for multipoint systems that use balanced lines. RS-485 is similar to RS-422, but RS-422 allows just one driver with multiple receivers whereas RS-485 supports multiple drivers and receivers.

The specification document (TIA/EIA-485-A) defines the electrical characteristics of the line and its drivers and receivers. There are brief suggestions relating to terminations and wiring, but there's no discussion of connector pinouts or software protocols (as there is for RS-232).

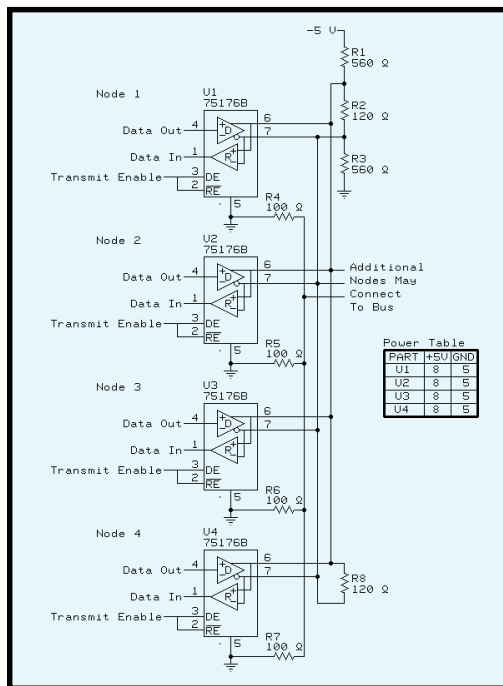
An RS-485 network can have up to 32 unit loads, with one unit load equivalent to an input impedance of 12k. By using high-impedance receivers, you can have as many as 256 nodes.

An RS-485 link can extend as far as 4000' and can transfer data at up to 10 Mbps, but not both at the same time. At 90 kbps, the maximum cable length is 4000', at 1 Mbps it drops to 400', and at 10 Mbps it drops to 50'. For more nodes or long distances, you can use repeaters that regenerate the signals and begin a new RS-485 line.

Although the RS-485 standard says nothing about protocols, most RS-485 links use the familiar asynchronous protocols supported by the UARTs in PCs and other computers. A transmitted word consists of a start bit followed by data bits, an optional parity bit, and a stop bit.

Two ways to add RS-485 to a PC are on an expansion card and by attaching an RS-485 converter to an existing port. Converters for RS-232 are widely available and Inside Out Networks has developed a USB-to-RS-485 converter, also available from B&B Electronics. On microcontrollers, you can connect an RS-485 transceiver

**Figure 1**—This general-purpose RS-485 network can have up to 32 nodes. Biasing resistors ensure that there are no false start bits when no drivers are enabled.



to any asynchronous serial port.

Many network circuits also require a port bit to control each transceiver's driver-enable input. Ports designed for RS-232 communications can use the RTS output. If that's not available, any spare output bit will do.

Most serial-communications tools, including Visual Basic's MComm, support RS-485 communications with RTS controlled in software. The COMM-DRV serial-port drivers from WCSC have automatic RTS control built-in.

The main reason why RS-485 links can extend so far is their use of balanced, or differential, signals. Two wires (usually a twisted pair) carry the signal voltage and its inverse. The receiver detects the difference between the two. Because most noise that couples into the wires is common to both wires, it cancels out.

In contrast, interfaces like RS-232 use unbalanced, or single-ended, signals. The receiver detects the voltage difference between a signal voltage and a common ground.

The ground wire tends to be noisy because it carries the return currents for all of the signals in the interface, along with whatever other noise has entered the wire from other sources. And noise on the ground wire can cause the receiver to misread transmitted logic levels.

The datasheets for interface chips label the noninverted RS-485 line as line A and the inverted line as line B. An RS-485 receiver must see a voltage difference of just 200 mV between A and B. If A is at least 200 mV greater than B, the receiver's output is a logic high. If B is at least 200 mV greater than A, the output is a logic low. For differences less than 200 mV, the output is

undefined.

At the driver, the voltage difference must be at least 1.5 V, so the interface tolerates a fair amount of non-common-mode noise and attenuation.

Vendors for RS-485 transceivers include Linear Technology, Maxim, National Semiconductor, and Texas Instruments. These companies are also excellent sources for application notes containing circuit examples and explanations of the theory behind them.

RS-485 is designed to be wired in a daisy-chain or bus topology. Any stubs that connect a node to the line should be as short as possible. Most links use twisted pairs because of their ability to cancel magnetically and electro-magnetically coupled noise.

### GENERAL-PURPOSE LINK

Figure 1 shows a general-purpose RS-485 network. Each node has a Texas Instruments SN75176B transceiver that interfaces between RS-485 and TTL logic levels.

The chip has a two-wire RS-485 interface, a TTL driver input and receiver output, and TTL enable inputs for the driver and receiver. Similar chips include Linear Technology's LTC485, Maxim's MAX485, and National Semiconductor's DS3695.

The circuit has two 120-Ω terminating resistors connected in parallel, at or just beyond the final node at each

end of the link. One end of the link also has two 560-Ω biasing resistors.

The terminations reduce voltage reflections that can cause the receiver to misread logic levels. The receiver sees reflected voltages as output switches, and the line settles from its initial current to its final current. The termination eliminates reflections by making the initial and final currents equal.

The initial current is a function of the line's characteristic impedance, which is the input impedance of an infinite open line. The value varies with the wires' diameters, the spacing between them, and the insulation type.

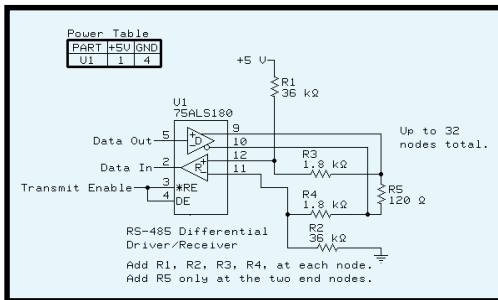
For digital signals (which consist mainly of frequencies greater than 100 kHz), the characteristic impedance is mostly resistive; the inductive and capacitive components are small. A typical value for 24-AWG twisted pair is 120 Ω.

The final current is a function of the line termination, the receivers' input impedance, and the line's series impedance. In a typical RS-485 line without a termination, the initial current is greater than the final current because the characteristic impedance is less than the receivers' combined input impedance.

On a line without a termination, the first reflection occurs when the initial current reaches the receiver. The receiver's input can absorb only a fraction of the current. The rest reflects back to the driver. As the current reverses direction, its magnetic field collapses and induces a voltage on the line. As a result, the receiver initially sees a greater voltage than what was transmitted.

When the reflected voltage reaches the driver, which has a lower impedance than the line, the driver absorbs some of the reflection and bounces the rest back to the receiver. This reflection is of opposite polarity to the first reflection and causes the receiver to see a reduced voltage. The reflections bounce back and forth like this for a few rounds before they die out and the line settles to its final current.

If the line terminates with a resistor equal to the line's characteristic impedance, there are no reflections. When the initial current reaches the termi-



**Figure 2**—The biasing resistors in this network hold the receiver's inputs in an idle state when no drivers are enabled, or if the node disconnects from the network, or if the signal lines are shorted.

nation, it sees exactly what it was expecting—a load equal to the line's characteristic impedance. The entire transmitted voltage drops across the load. In a network with two parallel terminations, the drivers drive two lines with each ending at a termination.

The biasing resistors hold the line in a known state when no drivers are enabled. Most RS-485 transceivers have internal biasing circuits, but adding a termination defeats their ability to bias the line. A typical internal circuit is a 100-k $\Omega$  pullup from line A to V+, and a 100-k $\Omega$  pulldown from line B to ground.

With no termination and when no drivers are enabled, the biasing resistors hold line A more positive than line B. When you add two 120- $\Omega$  terminations, the difference between A and B shrinks to a few millivolts, much less than the required 200 mV. The solution is to add smaller resistors in parallel with the internal biasing so that a greater proportion of the series voltage drops across the termination.

The size of the biasing resistors is a tradeoff. For a greater voltage difference and higher noise immunity on an idle line, use smaller values. For lower power consumption and a greater differential voltage on a driven line, use larger values.

When the receiver is disabled, the receiver's output is high impedance. If the output doesn't connect to a input with an internal pullup, adding a pullup here ensures that the node doesn't see false start bits when its receiver is disabled.

To comply with the specification, all of the nodes must share a common ground connection. This ground may

be isolated from earth ground.

The ground wire provides a path for the current that results from small imbalances in the balanced line. If the A and B outputs balance exactly with equal, opposite currents, the two currents in the ground wire cancel each other out and the wire carries no current at all. In real life, components don't balance perfectly; one driver will be a little stronger and one receiver will have a slightly larger input impedance.

Without a common ground, the circuit may work, but the energy from the imbalance has to go somewhere and may dissipate as electromagnetic radiation.

The RS-485 specification recommends connecting a 100- $\Omega$  resistor of at least 0.5 W in series between each node's signal ground and the network's ground wire, as Figure 1 shows. This way, if the ground potentials of two nodes vary, the resistors limit the current in the ground wire.

### SIMPLIFIED LOW-POWER LINK

Adding terminations increases a link's power consumption. With two parallel 120- $\Omega$  terminations and a differential output of 1.5 V, the current through the combined terminations is 25 mA (disregarding the effects of biasing, attenuation, etc.).

Without terminations, the load is the parallel combination of the receivers' input impedances and varies with the number of receivers. The maximum 32-unit loads have a combined parallel impedance of 375  $\Omega$  to ground or V+.

For some shorter and slower links, you can save power and components by not using terminating and biasing components. This option is feasible if the line is electrically short, which means it behaves as a lumped, rather than distributed, system. On a short line, the reflections die out long before the receiver is ready to read the signal.

A general guideline is that a line is short if the rise time of its signals is

greater than four times the signals' one-way delay. The one-way delay is the amount of time needed for a signal to travel from the driver to the receiver.

It's a function of the line's physical length and the speed of signals in the line. In copper wire, a typical speed is two-thirds the speed of light, which works out to 8 in./ns. Cable manufacturers often specify a value for products likely to be used in network wiring.

The rise time is specified in the driver's datasheet. The slowest chip I've found is Maxim's MAX3080, with a minimum rise time of 667 ns. With cables of up to 100", the rise time is greater than four times the one-way delay ( $4 \times 150$  ns), so the line behaves as a short line and doesn't need terminating or biasing. Another advantage is that the internal biasing pulls idle lines to nearly V+ and ground, so you get greater noise immunity.

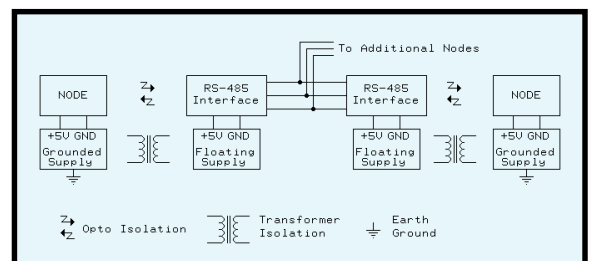
The downside to using this chip is that the slow rise time means that it's rated for use only at 115,200 bps or less.

### SHORT-CIRCUIT PROTECTION

The previous circuits ensured that the line was in a predictable state when idle or open. The circuit in Figure 2 also protects the network as much as possible if the signal lines are shorted. Instead of a single pair of biasing resistors for the entire line, the circuit has four biasing resistors at each node.

The circuit uses Texas Instruments 75ALS180B transceivers, which have full-duplex RS-485 inputs and outputs. The separate transmit and receive pairs enable the receiver to have its own series biasing resistors. The two RS-485 lines connect just beyond the biasing circuits.

If the signal lines short together, the 1.8-k $\Omega$  series resistors in combina-



**Figure 3**—A galvanically isolated link has no ohmic connection to earth ground or to the other circuits the network connects to.





high also causes the timer to begin timing out. About 40  $\mu$ s after the rising edge, the timer's output goes low, disabling the driver.

The delay ensures that the driver's RS-485 output switches without delay, while the driver is enabled. When the driver is disabled, the biasing components continue to hold A more positive than B.

Similarly, any falling edges in the transmitted data enable the driver and any rising edges disable the driver after the delay. On the final stop bit, the driver is disabled no later than 40  $\mu$ s after the stop bit's leading edge.

At rates of 9600 bps or less, the bit width is greater than 100  $\mu$ s, which means the driver is disabled at around the middle of the bit width. At faster bit rates, the driver will still be disabled no more than 40  $\mu$ s after the stop bit's leading edge. For networks needing very fast response time at faster bit rates, decrease R4 for a shorter delay.

A downside is that the final voltage for logic zeros is the biasing voltage, which is usually less than the differential voltage when the driver is enabled. But because the biasing voltage needs to be great enough to prevent errors from noise on an idle line, it should do the job for active logic states as well. ▣

*Jan Axelson has been involved with computers and electronics for over 20 years. Her books include Serial Port Complete, Parallel Port Complete, and The Microcontroller Idea Book. You may reach her at jan@lvr.com or on the web at www.lvr.com.*

## REFERENCE

J. Axelson, *Serial Port Complete: Programming and Circuits for RS-232 and RS-485 Links and Networks*, Lakeview Research, Madison, WI, 1998.

## SOURCES

### RS-485 transceivers

Linear Technology  
(408) 432-1900  
Fax: (408) 434-0507  
www.linear-tech.com

Maxim Integrated Products  
(408) 737-7600

Fax: (408) 737-7194  
www.maxim-ic.com

National Semiconductor  
(800) 272-9959  
(408) 721-5000  
Fax: (408) 739-9803  
www.national.com

Texas Instruments, Inc.  
(800) 477-8924, x4500  
(972) 995-2011  
Fax: (972) 995-4360  
www.ti.com

**TIA/EIA-485-A**  
Global Engineering Documents  
(800) 854-7179  
(303) 397-7956  
Fax: (303) 397-2740  
www.global.ihs.com/sitemap.html

### USB-to-RS-485 converter

Inside Out Networks  
(512) 301-7080  
Fax: (512) 301-7060  
www.ionetworks.com

B&B Electronics Manufacturing Co.  
(815) 433-5100  
Fax: (815) 434-7094  
www.bb-elec.com

### COMM-DRV serial-port drivers (with RS-485 support)

WCSC  
(800) 966-4832  
(281) 360-4232  
Fax: (281) 360-3231  
www.wcscnet.com

### RS-485 interface with automatic enable control

R.E. Smith  
(513) 874-4796  
Fax: (513) 874-1236  
www.rs485.com

©Circuit Cellar INK, the Computer Applications Journal.  
Reprinted by permission. For subscription information,  
call (860) 875-2199 or subscribe @circuitcellar.com