
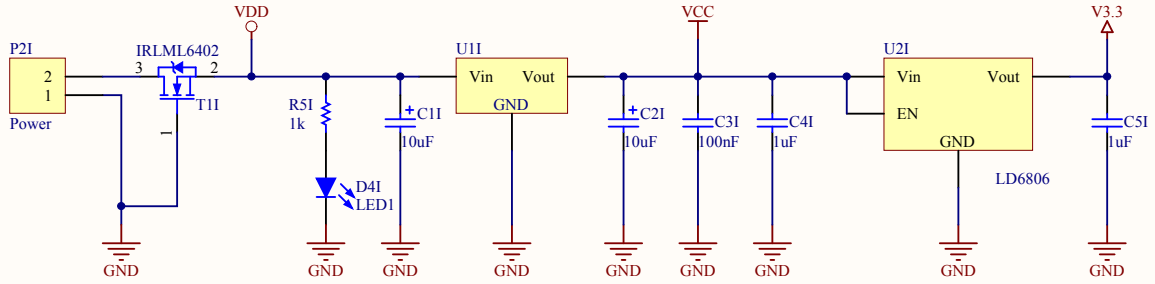
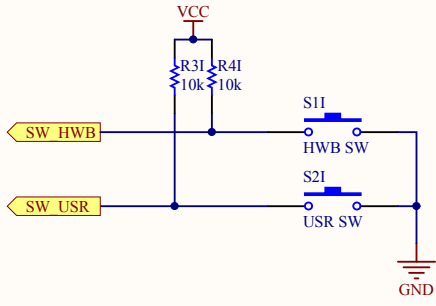
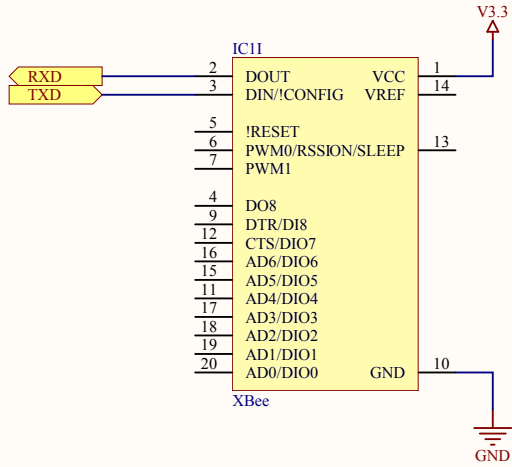
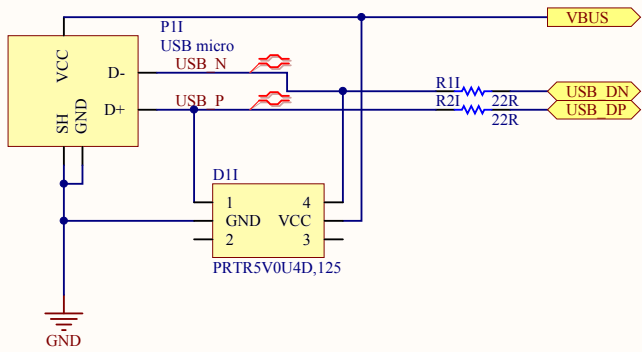


Title <b>PisiXBee</b>			MTÜ TTÜ Robotiklubi Ehitajate tee 5 Tallinn Harjumaa Estonia	
Size: A4	Number: 4.	Revision: 1		
Date: 17.10.2012	Time: 16:35:09	Sheet 2 of 3		
File: C:\Electronics\Robotiklubi\Projektid\PisiXBee4\H-Bridge.SchDoc				



Title <b>PisiXBee</b>			MTÜ TTÜ Robotiklubi Ehitajate tee 5
Size: A4	Number: 4.	Revision: 1	Tallinn Harjumaa Estonia
Date: 17.10.2012	Time: 16:35:09	Sheet 3 of 3	
File: C:\Electronics\Robotiklubi\Projektid\PisiXBee4\Interface.SchDoc			



Comment	Description	Designator	FamellPN	Footprint	LibRef	Manufacturer	Manufacturer PN	Quantity	Value	Voltage
LED1		D1H	1652080	LED 3.2x1.6	LED1	AVAGO TECHNOLOGIES	ASMT-RR45-AQ902	1	RED	
LED1		D4I	1699415	LED 3.2x1.6	LED1	PANASONIC	LNJ326W83RA	1	GREEN	
Res		R2H	1627734	R 0603	Res	KOA	SG73STJTD3300F	1	330R	
Cap, Capacitor		C1H, C3I, C6C, C7C, C8C, C9C	1759122	C 0603	Cap	MULTICOMP	MCCA000255	6	100nF	
Res		R1I, R2I	1500608	R 0603	Res	YAGEO (PHYCOMP)	RT0603FRE0722RL	2	22R	
Cap		C4C, C5C	1865473	C 0603	Cap	KEMET	CU603C130J5GACTU	2	13pF	
Inductor		L1C, L2C	1669541	R 0603	Inductor	TDK	MLF1608E100K	2	10uH	
Cap		C2C, C2H	1833812	C 0805	Cap	AVX	0805ZDT06KAT2A	2	10uF	
Tantalum Capacitor		C1I, C2I	1216576	B Tan	Cap Pol	AVX	TAJT106K010RNJ	2	10uF	
Res		R1C, R3I, R4I	1469748	R 0603	Res	VISHAY DRALORIC	CRCW060310K0FKEA	3	10k	
Cap, Capacitor		C3C, C4I, C5I	1759429	C 0805	Cap	MULTICOMP	MCCA000549	3	1uF	
Res		R1H, R2C, R3C, R5I	1469740	R 0603	Res	VISHAY DRALORIC	CRCW060310K0FKEA	4	1k	
Res		R3H, R4H	8067597	R 0805	Res	YAGEO (PHYCOMP)	RL1206FR-7W0R15L	2	0.15R	
16MHz		Q1C	1841946	XTAL5	Crystal	TXC	7A-16.000MAAJ-T	1		
ATMEGA32U4		IC1C	1748525	TQFP80P1200X1200X120-44N	ATMEGA16U4/32U4	ATMEL	ATMEGA32U4-AU	1		
DRV8833	Dual H-bridge 1.5A	IC1H	2057085	TSSOP65P640X120_HS-16N	RDV8833	TEXAS INSTRUMENTS	DRV8833PWPR	1		
HWB SW, USR SW		S1I, S2I	1960963	TACTILE2	Button2	OMRON	B3F-3120	2		
ICSP		P3C		2x3 2.54mm pitch	Atmel SPI Prog			1		
IRLML6402		T1I	9103503	SOT-23	FET (GSD)	INTERNATIONAL RECTIFIER	IRLML6402	1		
LD6806		U2I	2095510	SOT95P280X110-5N	V-reg5	NXP	LD6806	1		
LED1		D1C, D2C	1716770	LED 3.2x1.6	LED1	MULTICOMP	OVS-0603	2		
Motor 1, Motor2		Con1H, Con2H		Header 1x2	Header 1x2			2		
NCP1117ST50T3G		U1I	1494942	SOT230P700X180-4N	V-reg4	TEXAS INSTRUMENTS	NCP1117ST50T3G	1		
PD power, PF power	Header, 6-Pin, Dual row	P4C, P5C		HDR2X6_CEN	Header 6X2A			2		
PD, PF	Header, 6-Pin	P1C, P2C		HDR1X6	Header 6			2		
Power	Header, 2-Pin	P2I		HDR1X2	Header 2			1		
PR1R5V004D,125		D1I	1757869	SOT95P275X110-6N-W	ESD diodes	NXP	PR1R5V004D,125	1		
USB micro		P1I	1521869	USB micro B	USB B	TE CONNECTIVITY / AMP	1981584-1	1		
XBee		IC1I		XBEE	XBee			1		